

# **LPE80/100 TITAN**

## **8,000/10,000 lb. 4-wheel Dual-drive Counterbalance Pneumatic Forklift**



### **CAPACITY**

8,000/10,000 lbs. at 24" load center

### **BATTERY**

80v UL-recognized 460Ah / 560AH Li-Ion battery capable of fast charging without the need for regular maintenance or facility infrastructure such as eye wash stations or charging ventilation.

### **PERFORMANCE**

- Travel - 9 mph empty / 8.7 mph loaded
- Lift - Up to 88.5 fpm empty / Up to 51 fpm loaded
- Lowering - Up to 100 fpm empty / Up to 84 fpm loaded

### **TIRES**

Front 28x12.5-15 solid pneumatic

Rear 23X10-12 solid pneumatic

### **OPERATOR COMPARTMENT**

The operator compartment is exceptionally spacious due to the purpose-built design for an integrated lithium battery to improve ergonomics and reduce operator fatigue. A large mirror and overhead guard-mounted handrail aids the operator when driving in reverse. The platform provides a high-resolution LED display installed in the upper right corner of the cabin. At a glance, the operator can view speed, directional status, battery state-of-charge, hour meter, and more.

### **HYDRAULICS**

The hydraulic steering system achieves precise and responsive operation, has a simple and reliable structure, and has low maintenance costs.

### **ELECTRICAL**

80v AC controller technology delivers high efficiency and performance while significantly reducing maintenance costs and extending vehicle service life. The battery management system monitors lithium battery performance during operation and charging to help extend battery service life far longer than traditional lead-acid industrial batteries.

### **DRIVE UNIT AND BRAKES**

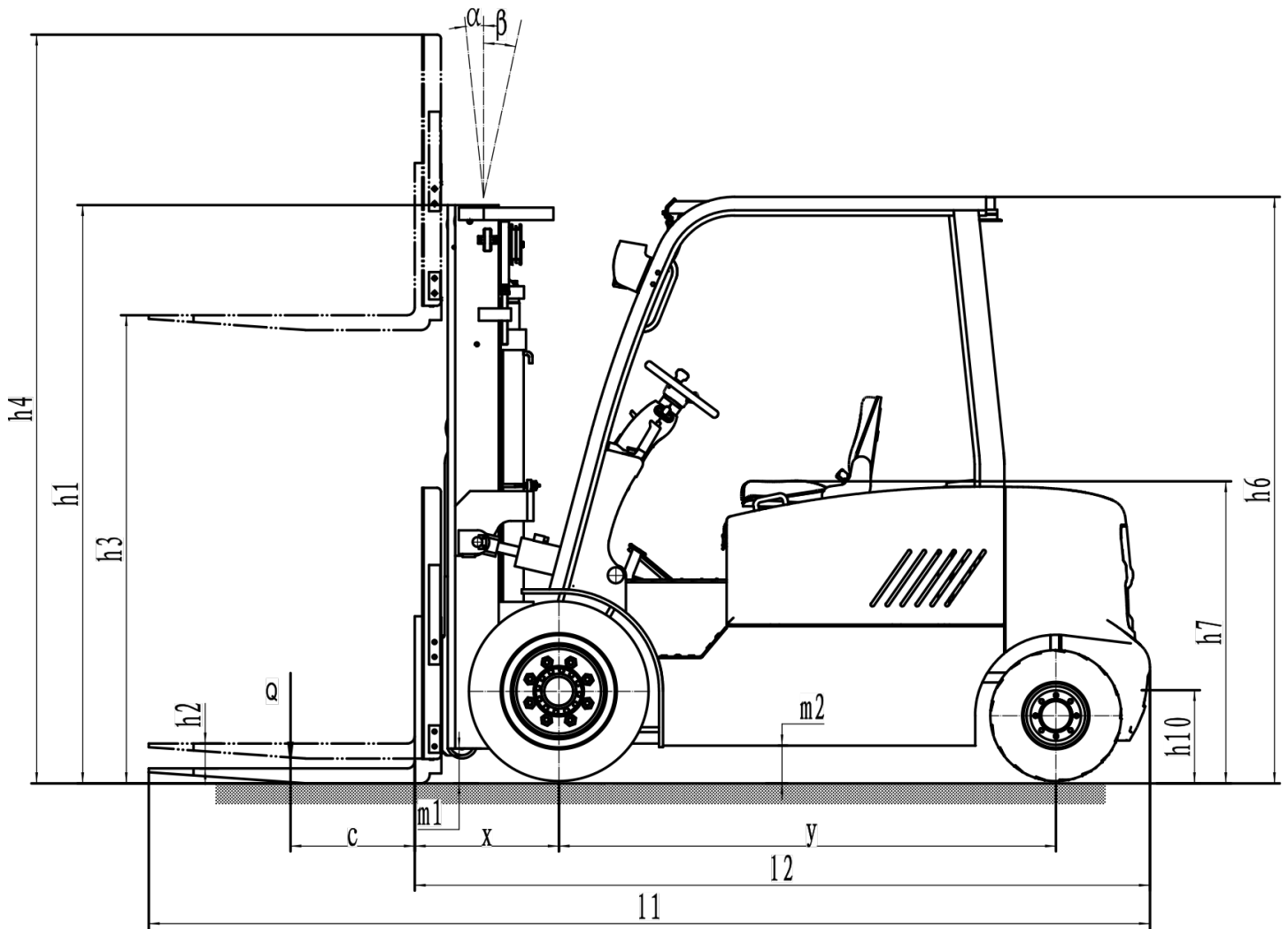
An AC drive motor delivers smooth torque and speed curves matched to vehicle needs in real time for peak efficiency and performance. Regenerative neutral braking extends the duty cycle. The vehicle's hydraulic drum brakes ensure effective stopping power during operation and when on rated grades.

### **FRAME AND MAST**

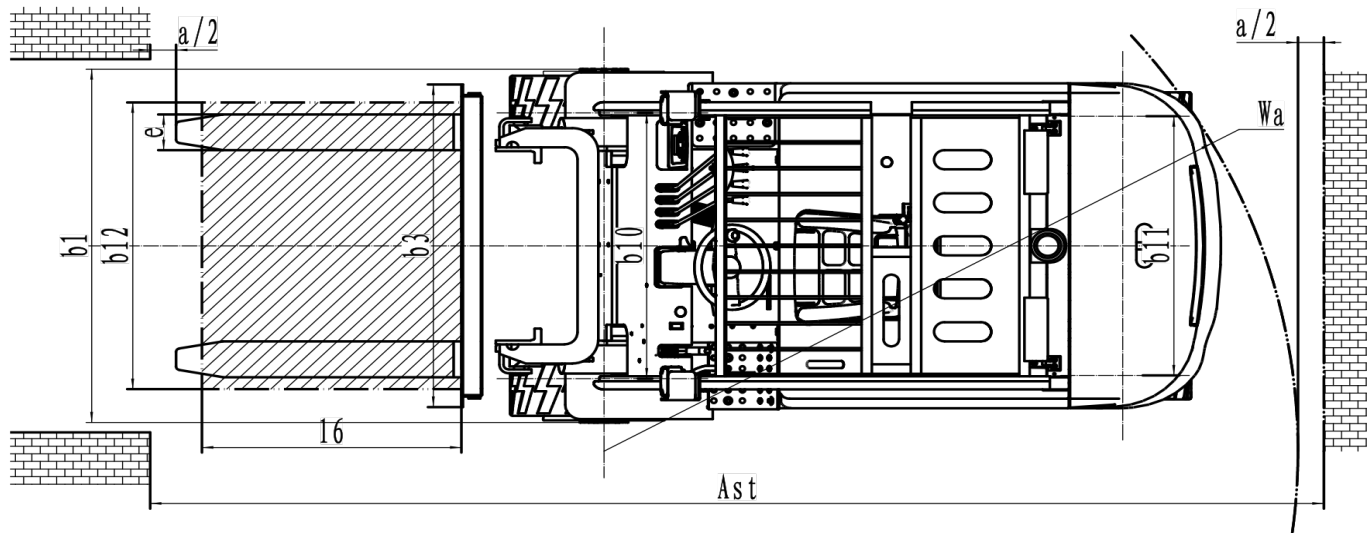
Heavy-duty steel chassis features a long wheelbase, wide tires, and a low center of gravity for stable operation.

### **SERVICEABILITY**

The onboard programmable display allows for troubleshooting and system adjustments without needing tools. Units can be optionally outfitted with a telematics system that includes cloud-based maintenance monitoring, GPS tracking, and related data services.



Distinguishing Marks	Model			LPE80	LPE100
	Drive			Electric	Electric
	Operator type			Seated	Seated
	Load capacity	Q	lb.	8000	10000
	Load center distance	c	in.	24	24
	Load distance center of drive axle to fork	x	in.	21.6	21.6
	Wheelbase	y	in.	78.7	78.7
Service Weight	Service weight		lb.	17002	17674
	Axle loading, laden front/rear		lb.	22502/2502	25174/2513
	Axle loading, unladen front/rear		lb.	8957/8004	9310/8356
Tires & Chassis	Tire type			solid pneumatic	solid pneumatic
	Tire size, front			28x12.5-15	28x12.5-15
	Tire size, rear			23X10-12	23X10-12
	Wheels, number front/rear (x=drive wheels)		in.	2x/ 2	2x/ 2
	Tread width, front	$b_{10}$	in.	43.8	49.7
	Tread width, rear	$b_{11}$	in.	42.7	42.7



Dimensions	Tilt of mast/fork carriage forward/backward	$\alpha/\beta$	$^{\circ}$	6/6	6/6
	Retracted mast height	$h_1$	in.	91	91
	Free lift	$h_2$	in.	44.5	44.5
	Lift height	$h_3$	in.	185	185
	Height, mast extended	$h_4$	in.	232.3	232.3
	Height of overhead guard (cabin)	$h_6$	in.	92.6	92.6
	Seat height/standing height	$h_7$	in.	47.6	47.6
	Tow coupling height	$h_{10}$	in.	14.8	14.8
	Overall length	$l_1$	in.	158.5	168.5
	Length to face of forks	$l_2$	in.	116.5	120.4
	Overall width	$b_1/b_2$	in.	61	61
	Fork dimensions	$s \times e \times l$	in.	2.2X6X48	2.2X6X48
	A,B Fork carriage class/type A, B			3A	3A
	Fork carriage width	$b_3$	in.	49.2	49.2
	Ground clearance, laden, below mast	$m_1$	in.	5.1	5.1
	Ground clearance, center of wheelbase	$m_2$	in.	5.5	5.5
	Right Angle Stack=X +Wa. (Add load length + Clearance)		in.	177.3	178.6
	Turning radius	Wa	in.	107.7	109
Performance	Travel speed, laden/unladen		mph	8.7/9	8.7/9
	Lifting speed, laden/unladen		fpm	51/88.5	51/88.5
	Lowering speed, laden/unladen		fpm	100/84	100/84
	Max. gradeability, laden/unladen		%	14/15	14/15
Brakes	Service brake			hydraulic	hydraulic
	Parking brake			mechanical	mechanical
Components	Drive motor rating S2 60 min		kW	18	18
	Lift motor rating at S3 15%		kW	25.4	25.4
	Battery voltage/nominal capacity		V/Ah	80V460AH UL / 80V560AH	80V460AH UL / 80V560AH
	Battery weight		lb.	892	892
	Type of drive control			AC	AC
Additional data	Operating pressure for attachments		PSI	2750	2750
	Oil flow for attachments		gpm	5-8.5	5-8.5
	Steering design			hydraulic	hydraulic
	Sound pressure level at the driver's ear		dB(A)	<75	<75
	Charger output current		A	15, 35, 100, 155	15, 35, 100, 155

## STANDARD FEATURES

- Rear Blue light
- Headlights, Brake Lights, Turn Signals, Warning Light
- Telematics
- Back up alarm
- Rear Grab Bar with Horn
- Solid Pneumatic Tires
- Adjustable suspension seat with armrests
- Side Shifting Fork Position with 4-function hydraulics
- 185" Mast 3 Stage with Free Lift
- 48" Forks
- 48" Load Backrest
- 80V460ah Li-Ion UL Battery
- Accessory on-board Power/Charging
- Cup Holder
- LED Display with Bluetooth Connectivity
- Rearview mirror
- IPX4 Rating
- Curve Control Speed Reduction

## OPTIONAL EQUIPMENT

- 197" Mast 3 Stage with Free Lift
- 42" Forks
- 60" Forks
- 60" LBR
- 4-function hydraulics
- LED Rear Light
- Front Blue Light
- Red Curtain Lights
- Non-Marking Tires
- Air Conditioner
- Fully Enclosed Cab with Heater and wipers
- 80V560ah Li-Ion Non-UL Battery
- Internal 120/240VAC Charger 15/35A output
- External 120/240VAC Charger 15/35A output
- External Charger 480VAC 3ph Input, 100A Output
- External Charger 480VAC 3ph Input, 155A Output



Learn more at [bigjoeforklifts.com](http://bigjoeforklifts.com)  
630-916-2600  
[sales@bigjoeforklifts.com](mailto:sales@bigjoeforklifts.com)  
2777 Finley Rd., Ste 16 Downers Grove, IL 60515

### Certification

All units are built to be in compliance with ANSI B56.1 and the Occupational Safety & Health Act (OSHA). Big Lift LLC will not assume liability for injuries or damage arising from, or caused by, the removal of any safety devices from their vehicles by user. Because of the Big Lift LLC continuing product improvements, specifications are subject to change without notice.