



CB33

Counterbalanced Walkie Stacker

CAPACITY

3300 lbs. at 24" load center

BATTERY

Compartment: 32.5" x 13.1" x open. Anderson 175 Gray—A-11 Minimum battery weight 1050 lbs.

SPEED

24-volt ZAPI Travel controller, separate power steering controller.

TRAVEL

Variable from 0 mph to 3.1 mph empty
Variable from 0 mph to 3.4 mph loaded

TILT

7° Back 3° Forward

LIFT

Up to 30 fpm empty.
Up to 24 fpm loaded

LOWERING

Up to 43 fpm empty.
Up to 47 fpm loaded

TIRES / WHEELS

DRIVE

10" x 4" smooth polyurethane

LOAD

10" x 4" polyurethane

HYDRAULICS

Lift cylinder is hard chrome. Self contained hydraulic power unit. Pressure compensated lowering valves regulates lowering speeds.

ELECTRICAL

Infinitely variable travel controller and AC drive motor provides high torque throughout the entire drive range. Regenerative braking and brushless design drastically reduces maintenance.

Travel speed remains constant relative to throttle position regardless of the load on truck. EPD with built in line contactor



BRAKES

Electromagnetic brake is mounted on motor armature shaft multiplying the braking power through the ZK-16 transmission.

Brake is applied when control arm is in the vertical or horizontal handle position. Travel speed is reduced when forks are above 12" fork height. Position hold resists roll back on ramps.

CONTROLS

Travel, lift, lower and tilt functions are located in the ergonomic operator handle, designed to allow operation with either hand. Wrap around guard, reversing switch, thumb control, and horn are standard.

TRANSMISSION

Vertically mounted drive motor is direct mounted to gear housing. Oil bathed bevel gear drive-train transfers power to axle. State of the art optimized gear technology supplies advantages such as zero maintenance, low noise level, high efficiency and high performance.

FRAME AND MAST

Bolt-on high visibility I-beam construction, lift cylinders are positioned in outer I-beam. Dual lifting chains. Class two ITA fork carriage with 36" tall load back rest.

BEARINGS

DRIVE WHEEL-Tapered roller bearings sealed in oil bath
LOAD WHEELS-Sealed ball bearings

ACCESSIBILITY

Removal of two piece power head cover exposes major components for inspection and maintenance. Drive wheel is removed with one nut.

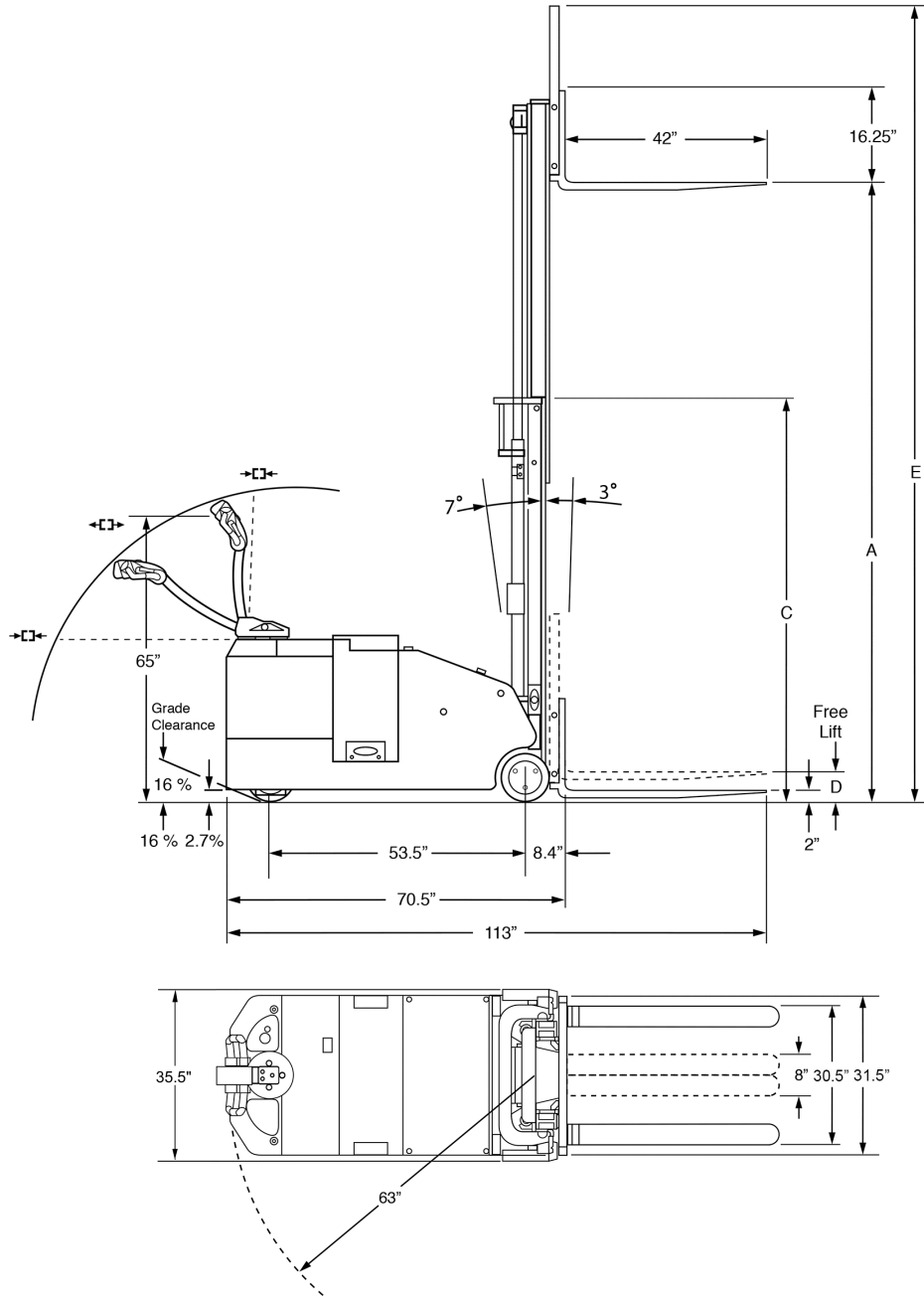
STANDARD EQUIPMENT

- Regenerative Neutral Braking
- Gas Assist Spring Handle
- Low Battery Lift Interrupt
- Hour Meter BDI Combo Gauge
- Key Switch
- 36" Tall Load Backrest

OPTIONAL EQUIPMENT

- 4-Pack Battery Pack



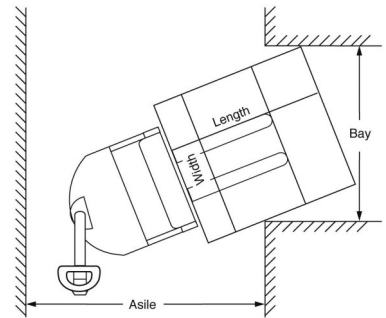


Aisle Guide

CB33 - Right Angle Stacking

Load Width	Load Length		
	36"	40"	48"
36"	112"	115"	123"
40"	113"	116"	124"
48"	115"	118"	125"

For ease of use add 6 to 12" to aisle dimension listed



Aisle dimensions listed above assume 4" between loads. Use the larger dimension; load width or load length. For ease of use and add 6" to 12" for operator clearance to the appropriate specifications listed above. Truck performance may vary due to application requirements' and changes in model design.

Model #	Mast	Lift Height	Col Height	Free Lift	Ext Height w/LBR	Gradability		³ Weight Chassis Only
		A	C	D	E	Loaded	Unloaded	
3300 Capacity @ 24" Load Center ITA Class II Fork Carriage								
CB 33-104	Two Stage	104	72.0	6	140	5%	8%	4390
CB 33-126	Two Stage	126	83.0	6	162	5%	8%	4695
CB 33-157*	Triple Stage	157	72.0	50	193	5%	8%	4820

*Derate 500 lbs. above 132'

³ Estimated shipping weight without battery